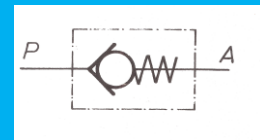
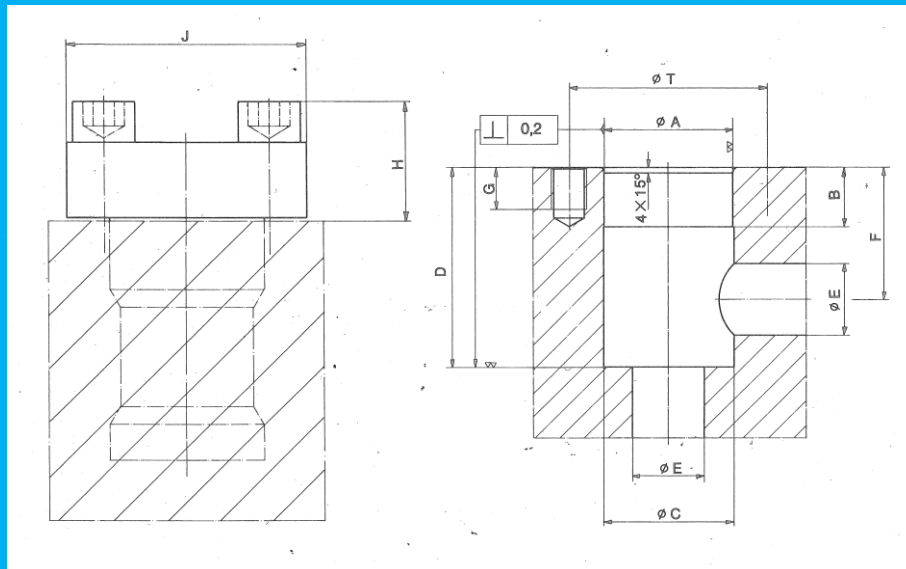


Check valve type RV-C 752

Bore 10 – 150; pressure up to 32 MPa (50 MPa on request)



| bore | A H7 | B | C | D | E | F | G | H | J | T | bolt |
|------|------|-----|-----|-----|-----|-----|----|----|---------|-----|-----------|
| 10 | 40 | 35 | 40 | 60 | 10 | 46 | 25 | 42 | [] 100 | 90 | 4 x M 12 |
| 16 | 40 | 35 | 40 | 60 | 16 | 46 | 25 | 42 | [] 100 | 90 | 4 x M 12 |
| 20 | 40 | 35 | 40 | 60 | 20 | 46 | 25 | 42 | [] 100 | 90 | 4 x M 12 |
| 25 | 60 | 40 | 60 | 75 | 25 | 58 | 28 | 41 | [] 120 | 90 | 4 x M 16 |
| 32 | 60 | 40 | 60 | 75 | 32 | 58 | 28 | 41 | [] 120 | 90 | 4 x M 16 |
| 40 | 90 | 42 | 90 | 140 | 40 | 93 | 32 | 66 | [] 140 | 130 | 4 x M 24 |
| 50 | 90 | 42 | 90 | 140 | 50 | 93 | 32 | 66 | [] 140 | 130 | 4 x M 24 |
| 65 | 110 | 43 | 110 | 170 | 65 | 115 | 44 | 75 | [] 160 | 155 | 4 x M 30 |
| 80 | 125 | 50 | 125 | 182 | 74 | 120 | 37 | 80 | [] 180 | 175 | 4 x M 30 |
| 100 | 170 | 70 | 170 | 245 | 97 | 155 | 37 | 74 | ø 250 | 210 | 12 x M 24 |
| 125 | 210 | 100 | 210 | 290 | 118 | 185 | 50 | 90 | ø 310 | 260 | 12 x M 30 |
| 150 | 250 | 120 | 250 | 330 | 143 | 215 | 50 | 90 | ø 350 | 300 | 16 x M 30 |